


Multi-Band Omni Antenna

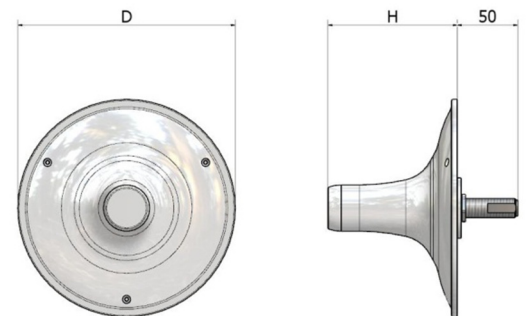
819 ~ 960, 1710~2690 MHz / 2 dBi, 3dBi

CPWW-IDT-23

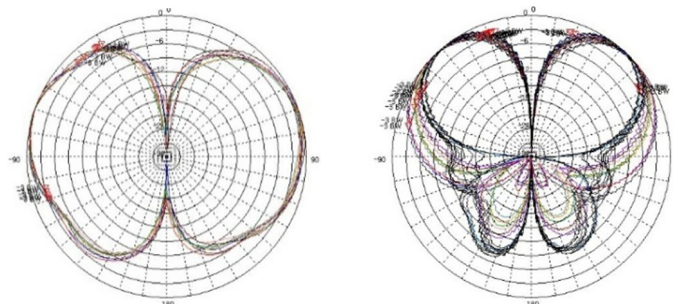
i. Electrical Specification		
Frequency Range (MHz)	819 ~ 960	1710 ~ 2690
Polarization	Vertical	
Band Width	141 MHz	980 MHz
Gain	≥ 2 dBi	≥ 3 dBi
Beam width	Horizontal	-
	Vertical	30 ~ 140°
F-B ratio	-	
VSWR	1 : 1.7	1 : 1.6
Impedance	50 Ω	
IMD (3rd)	≤ -140dBc @ 2x40dBm	
IMD (5th)	≤ -160dBc @ 2x40dBm	
Maximum input power	≤ 10 W	



ii. Mechanical Specification	
Radom Dimension (HxWxD)	Ø180 x 110 mm
Weight (Exclude bracket)	≤ 0.4 kg
Connector Type	N-J (Female)
Withstand Wind Pressure	-
Radiator Material	황동(Brass)
Radome Material	ASA
Radome Color	 Cool Gray 1C
Temperature	-40 °C ~ 70 °C
Packing Size (H x W x D)	-
Packing Weight	-



iii. Radiation Pattern



Vertical Pattern

Low Band

High Band